

TUBF0208 Product Brief

1. Description

The TBUF0208 is a high-performance CMOS Clock Buffer with internal Crystal Oscillator. The XTAL range is from 10MHz to 50MHz, the device has a wide operating voltage from a 2.5V to 3.3V. It provides user selectable output VDD option, which provides excellent flexibilities to users. This device is ideal for systems that need to distribute low jitter clock signals to multiple destinations.

2. Features

- 8 single-ended outputs fanout buffer
- Up to 200MHz output frequency
- Ultra-low output additive jitter, the typical value is 0.05ps
- The input XTAL supports 10MHz to 50MHz, single-ended and differential
- Low output skew, the typical value is 50ps
- User configurable output VDD in different bank
- Mixed 3.3V core, 3.3V, 2.5V, 1.8V or 1.5V output operating supply
- Mixed 2.5V core, 2.5V, 1.8V or 1.5V

output operating supply

- Ambient temperature: -40°C~85°C
- Totally Lead-Free & Fully RoHS Compliant
- Halogen and Antimony Free
- Packaged: 5mm×5mm 32-pin QFN

3. Applications

- IT infrastructure
- 5G communication
- Automotive electronic

4. Functional Diagram

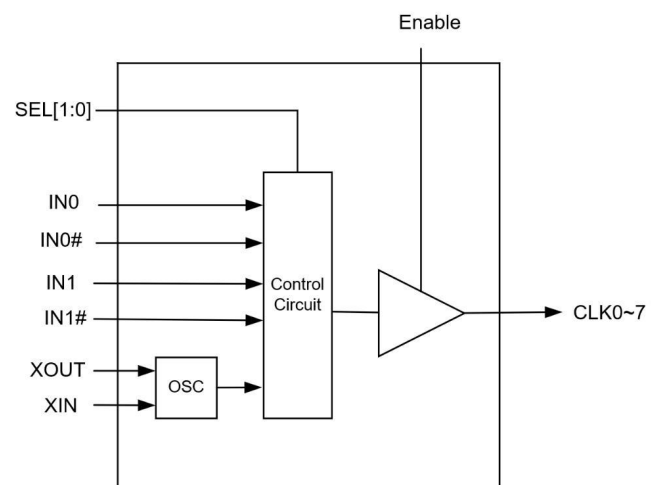


Figure 1 Functional Diagram